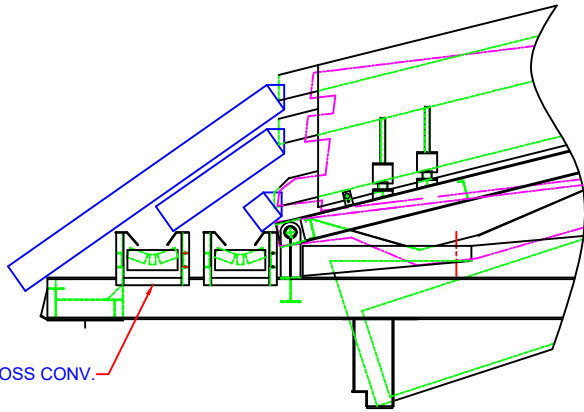
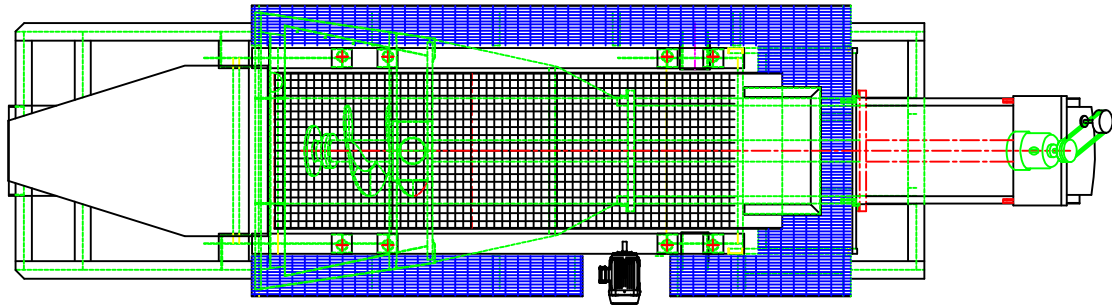
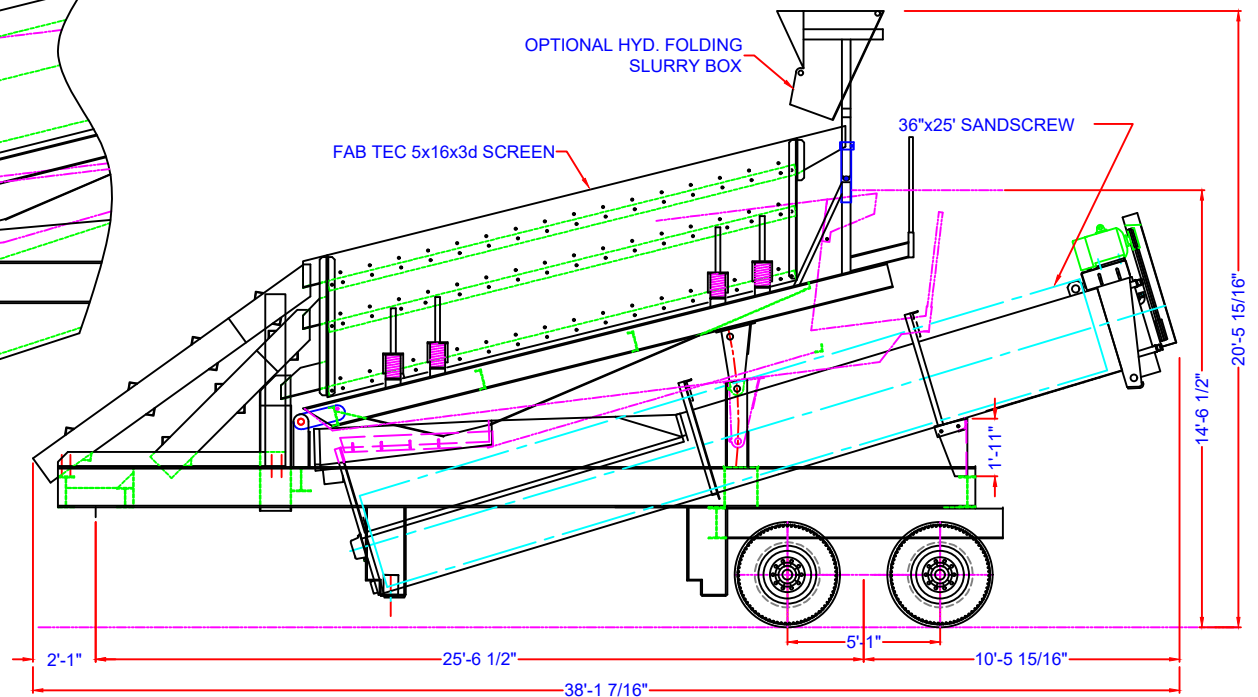


TRAVEL WIDTH: ALLOW 11'-0"



18"x 10" CROSS CONV.

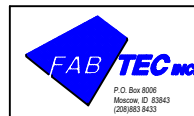
CROSS CONVEYOR OPTION



PIN WT= APPROX. 13,200#

AXLE WT= APPROX. 26,400#

This drawing is the property of the FAB TEC, INC. and is transmitted in confidence. The reproduction, use or disclosure, in whole or in part, of the design or details contained herein is prohibited without the written permission of FAB TEC, INC.



Project FT 516 3D WASH PLANT
 Drawn for PRESENTATION
 Scale NTS
 By CC
 Date 10-10-19
 Dwg. No. FT 516 3D WASH PLANT